



Triple Threat – Reactive Target

Part Number

TRPLT-001

TRPLT-002

TRPLT-003



TRPLT-001



TRPLT-003



TRPLT-002

TRPLT-001 Hardware Kit

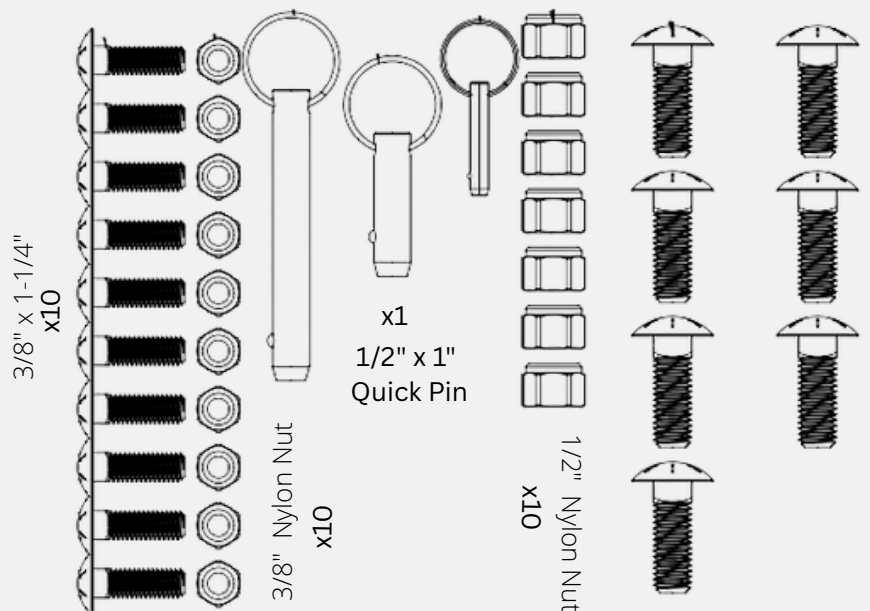
1/2" x 3"
Quick Pin
x1

1/4" x 1"
Quick Pin
x1

1/2" x 1-1/2"
x7

Hardware Kit shown to Right for TRPLT-001.

Instructions for Each kit will be laid out individually on the remaining pages.





TRPLT-001

Assembly Steps: TRPLT-001

1. Layout all items onto work bench
2. Insert the 3 Legs into the Base, then insert 1/2" x 3" quick pin into the hole on mounting base to secure the back two feet, as Shown in Fig. 1
3. Insert 1/2" x 1-1/2" Carriage Bolt through the Base and Leg, tighten to secure the Leg, but do not overtighten as the Leg should rotate freely, as Shown in Fig. 2
4. Insert 1/4" x 1" quick pin to secure leg from rotating, as Shown in Fig. 1

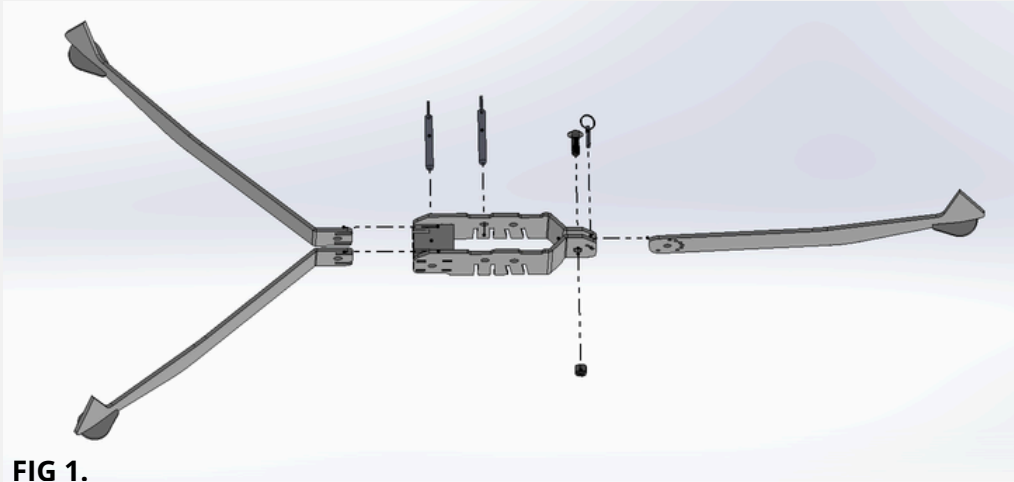


FIG 1.

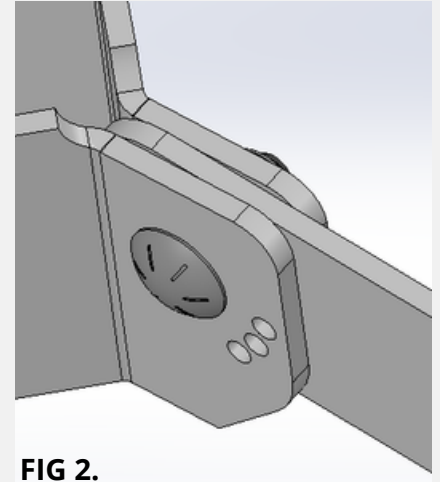


FIG 2.

5. Assemble Stand Protector Plates, to Upright with 3/8" x 1-1/4" Carriage Bolts and 3/8" Nylon Nuts, as shown in Fig. 3. (4 pcs)
Tip: Insert socket through cutout in back of stand to install.

6. Install Upright into Base, and insert 1/2" x 3" long quick pin to secure to base
Tip: Fig 4 shows the straight up and down position, while Fig 5 shows the 10 degree forward slot, for adjustment after the base is installed into the ground.

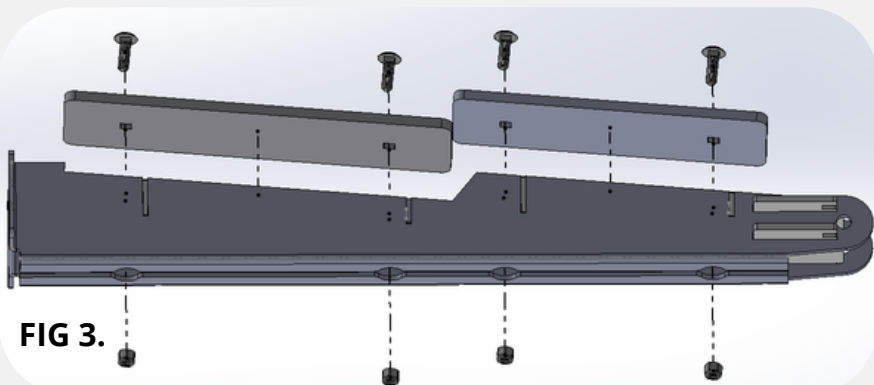


FIG 3.

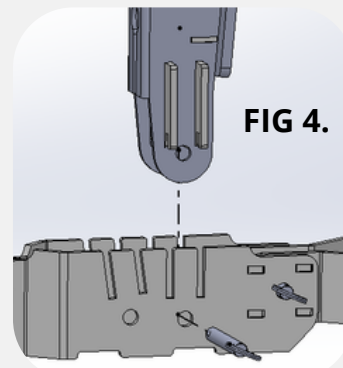


FIG 4.

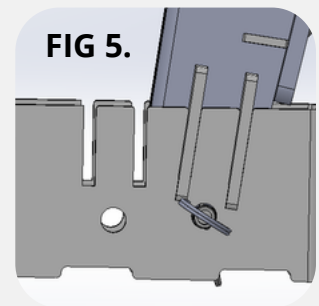


FIG 5.



TRPLT-001

Assembly Steps Continued:

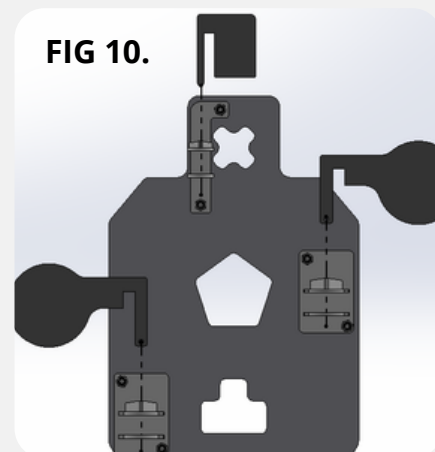
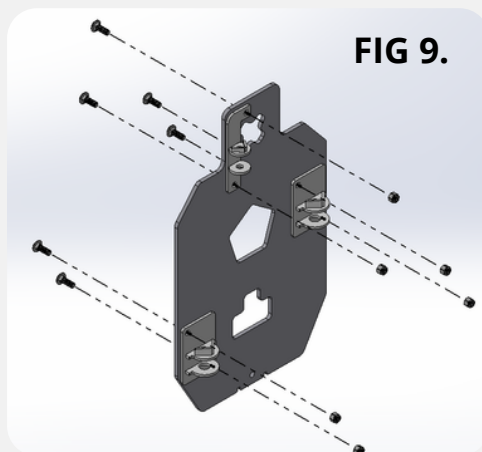
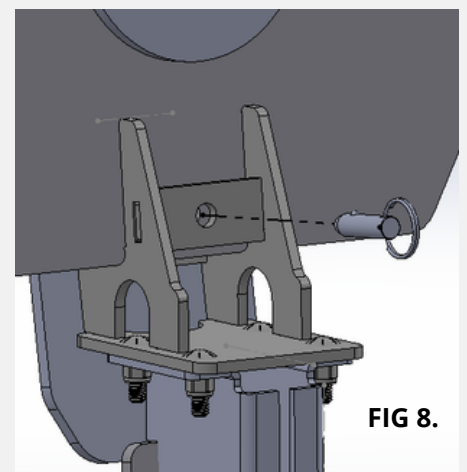
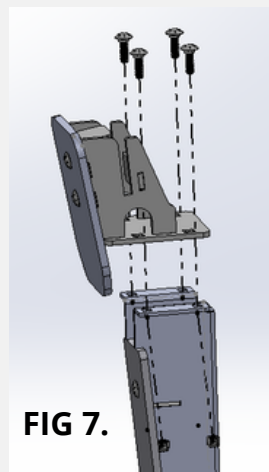
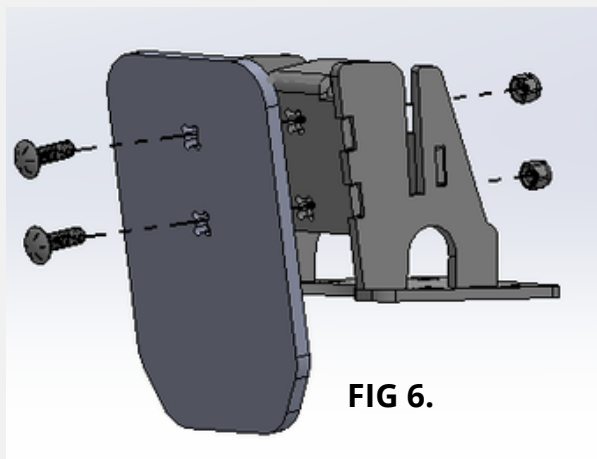
7. Assemble Stand Protector Plate, to Silhouette Mounting Bracket with $\frac{3}{8}$ " x 1-1/4" Carriage Bolts and $\frac{3}{8}$ " Nylon Nuts, as shown in Fig. 6. (2 pcs)

8. Next mount the Silhouette Mounting Bracket & guard with $\frac{3}{8}$ " x 1-1/4" Carriage Bolts and $\frac{3}{8}$ " Nylon Nuts, as shown in Fig. 7. (4 pcs)

9. Set the silhouette onto main support, secure with 1" quick pin, see Fig. 8

10. Mount all three paddle brackets to silhouette with $\frac{1}{2}$ " x 1-1/2" carriage bolts & nuts, as shown in Fig. 9 (6 pcs)

11. Slide all paddles into mounting brackets as shown in Fig. 10

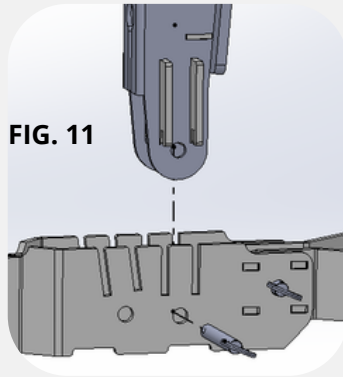


Tips for Adjusting the Base

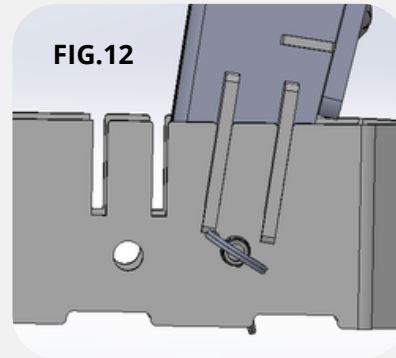
- To adjust the base, you have two options:

- Option 1:

- Adjust using the 10 degrees of angle adjustment provided in the base stand, as shown in Fig. 11 & 12.
- You will need to pull the quick pin from the upright to adjust.



90 deg Setting



10 deg Angled Forward

- Option 2:

- Adjust using the Front Leg Quick Pin Adjustment. Before doing this, you should remove the center column as it is too heavy to adjust with it and the paddles installed. Remove the 1" Quick Pin, adjust the angle, and re-install the Quick Pin. There are 3 locating holes in the front base and 6 holes in the front foot; this gives you adjustment in intervals of 5 degrees each. Use the front foot and the adjustment holes to adjust the stand angle, as shown in FIG. 13

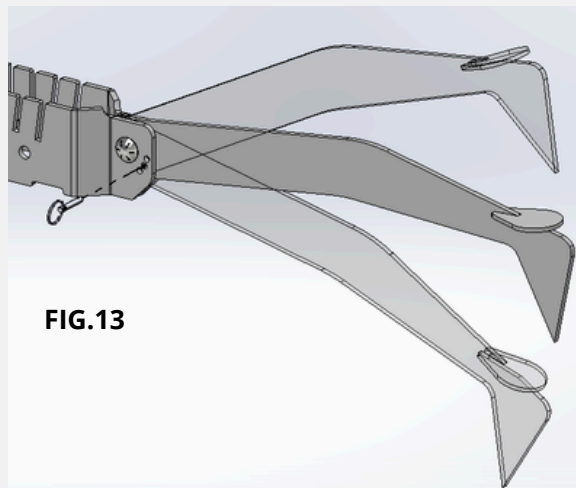


FIG.13

TRPLT-002

Assembly Steps: TRPLT-002

1. Assemble Stand Protector Plate, to Silhouette Mounting Bracket with 3/8" x 1-1/4" Carriage Bolts and 3/8" Nylon Nuts, as shown in Fig. 6. (2 pcs)
2. Place the 2x4 mount onto 2x4, and secure by tightening the wing bolt, securing the final location with the nut
 - a. Note: See Fig 15 for how the 2x4 should work with the clamping feet.
3. Once bracket is tightend to 2x4 secure wing bolt with jam nut.
4. Set the silhouette onto main support, secure with 1" quick pin, see Fig. 16
5. Mount all three paddle brackets to silhouette with 1/2" x 1-1/2" carriage bolts & nuts, as shown in Fig. 9 (6 pcs)
6. Slide all paddles into mounting brackets as shown in Fig. 10

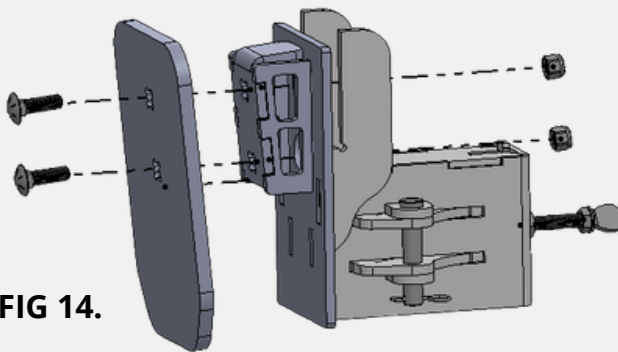


FIG 14.

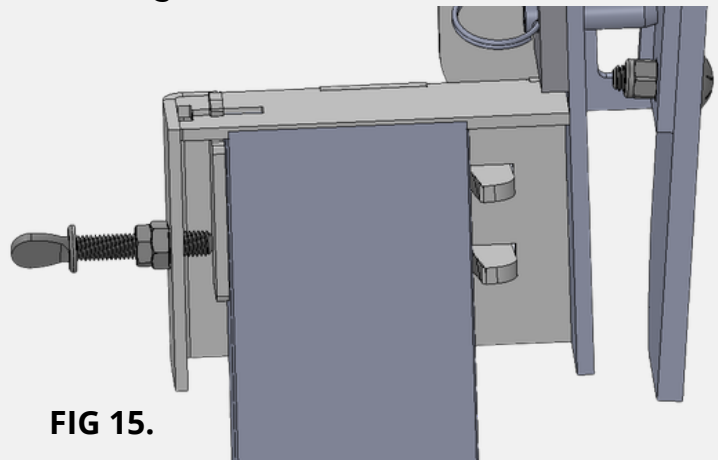


FIG 15.

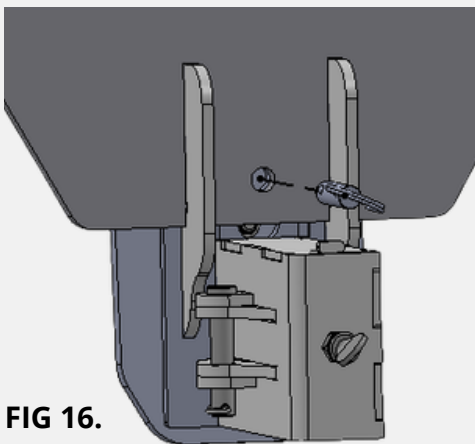


FIG 16.

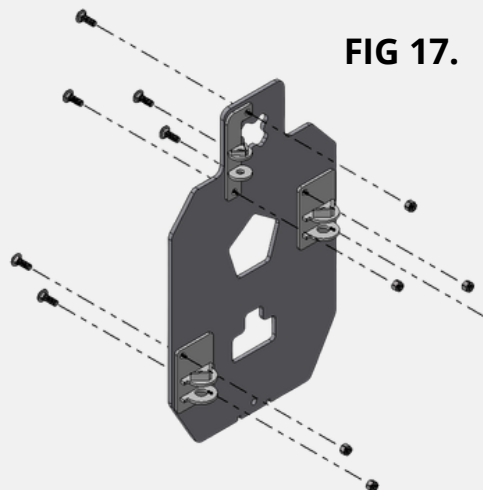


FIG 17.

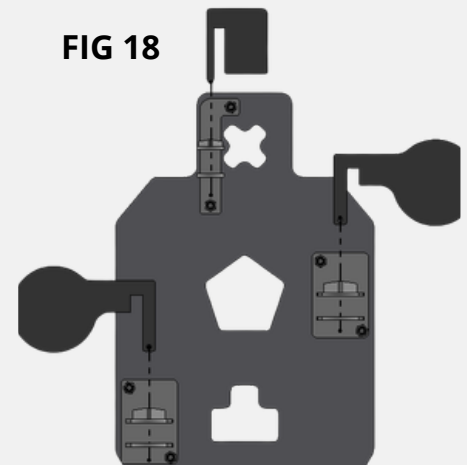


FIG 18

TRPLT-003

Assembly Steps: TRPLT-001

1. Insert the 3 Legs into the Base and secure them with the 4" quick pins as Shown in Fig. 19
2. Slide the 2x4 adapter mount into the center of the base and secure them with the 4" quick pins, as shown in Fig. 20
3. Note: This can be placed in forward slot, middle slot, or back slot, allowing for angle adjustment of the target.
4. Place the 2x4 (cut to your desired length) into the adapter mount/base. Secure by tightening
5. Follow steps 1-6 from TRPLT-002 to finish mounting hanger and Silhouette.

