



Vital Strike- Reactive Target

Part Number

RT-MM-001

RT-MM-002

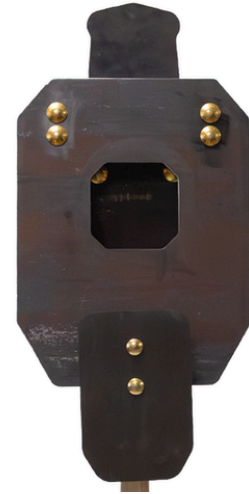
RT-MM-003



RT-MM-001



RT-MM-003



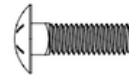
RT-MM-002

RT-MM-001 Hardware Kit

Hardware Kit shown to Right for RT-MM-001.

Instructions for Each kit will be laid out individually on the remaining pages.

3/8" x 1-1/4"
x10



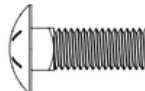
3/8" Nylon
Nut
x10



1/2" x 3"
Quick Pin
x3

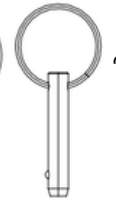
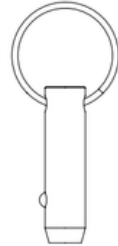


1/2" x 1-1/2"
x1



1/2" Nylon Nut
x1

1/2" x 1"
Quick Pin
x1



1/4" x 1"
Quick Pin
x1





RT-MM-001

Assembly Steps:

1. Layout all items onto work bench
2. Insert the 3 Legs into the Base, then insert 1/2" x 3" quick pin into the hole on mounting base to secure the back two feet, as Shown in Fig. 1
3. Insert 1/2" x 1-1/2" Carriage Bolt through the Base and Leg, tighten to secure the Leg, but do not overtighten as the Leg should rotate freely, as Shown in Fig. 2
4. Insert 1/4" x 1" quick pin to secure leg from rotating, as Shown in Fig. 1

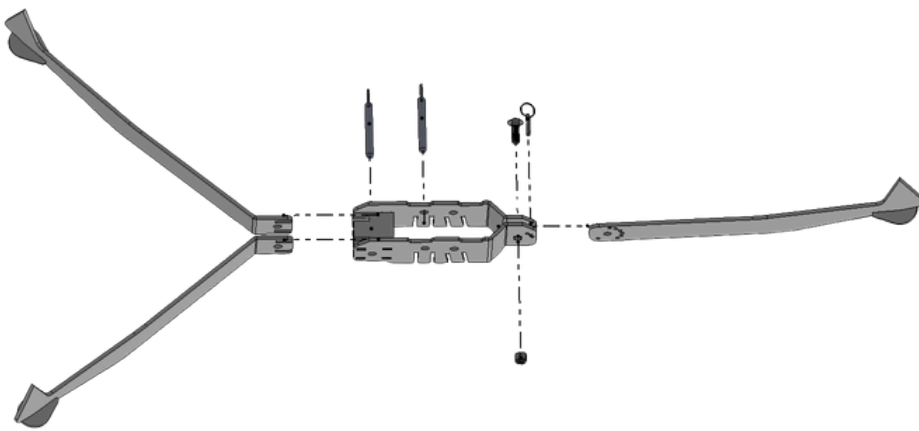


FIG 1.

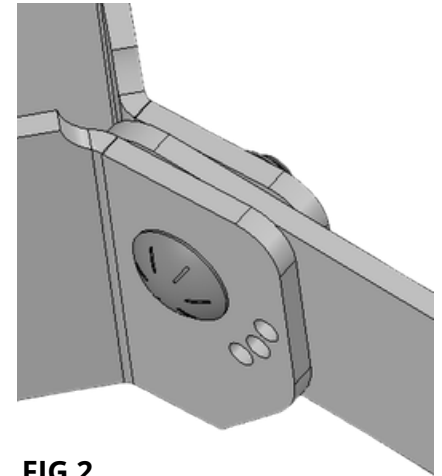


FIG 2.

5. Assemble Stand Protector Plates, to Upright with 3/8" x 1-1/4" Carriage Bolts and 3/8 Nylon Nuts, as shown in Fig. 3. (4 pcs)
Tip: Insert socket through cutout in back of stand to install.

6. Install Upright into Base, and insert 1/2" x 3" long quick pin to secure to base
Tip: Fig 4 shows the straight up and down position, while Fig 5 shows the 10 degree forward slot, for adjustment after the base is installed into the ground.

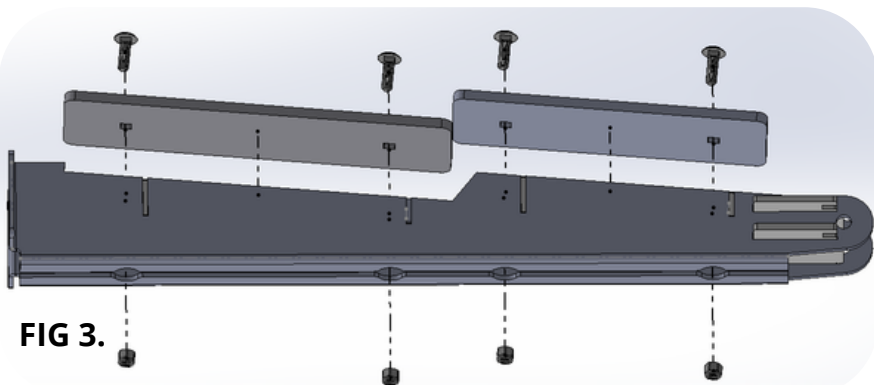


FIG 3.

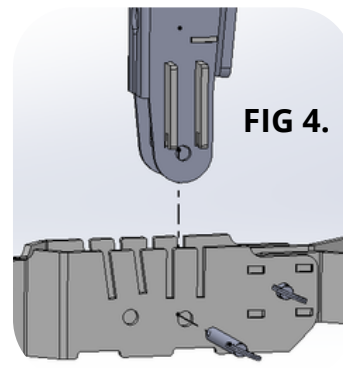


FIG 4.

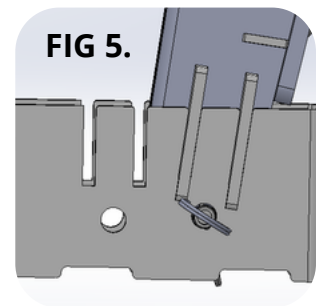


FIG 5.

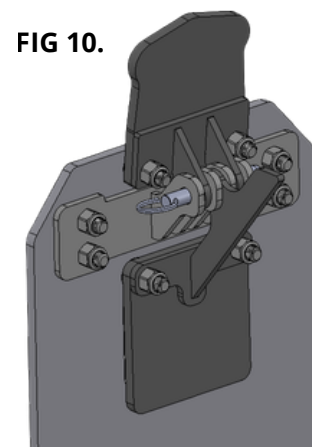
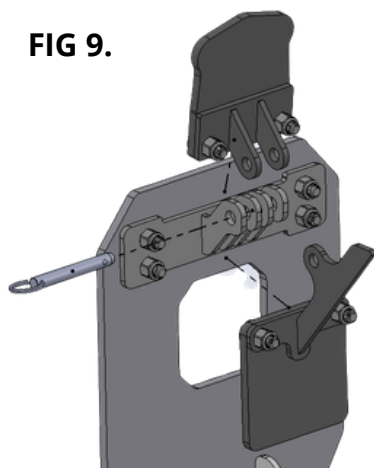
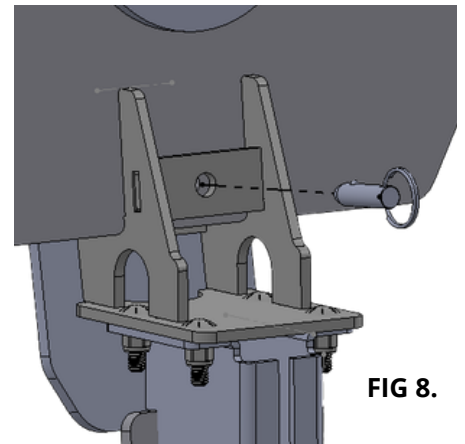
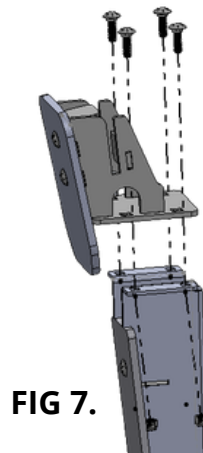
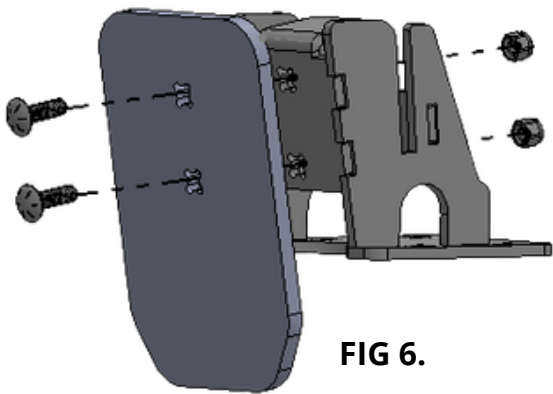




RT-MM-001

Assembly Steps Continued:

7. Assemble Stand Protector Plate, to Silhouette Mounting Bracket with $3/8"$ x $1-1/4"$ Carriage Bolts and $3/8$ Nylon Nuts, as shown in Fig. 6. (2 pcs)
8. Next mount the Silhouette Mounting Bracket & guard with $3/8"$ x $1-1/4"$ Carriage Bolts and $3/8$ Nylon Nuts, as shown in Fig. 7. (4 pcs)
9. Set the silhouette onto main support, secure with 1" quick pin, see Fig. 8
10. Grab the two remaining paddles & 3" Quick Pin.
11. Align the paddles up to the bracket on the back of the silhouette and slide the pin into position, as shown in Fig. 9 & 10



Tips for Adjusting the Base

- To adjust the base, you have two options:
 - Option 1:
 - Adjust using the 10 degrees of angle adjustment provided in the base stand, as shown in Fig. 11 & 12.
 - You will need to pull the quick pin from the upright to adjust.

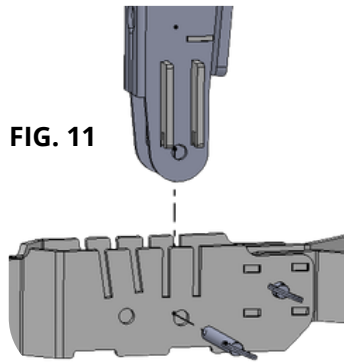


FIG. 11

90 deg Setting

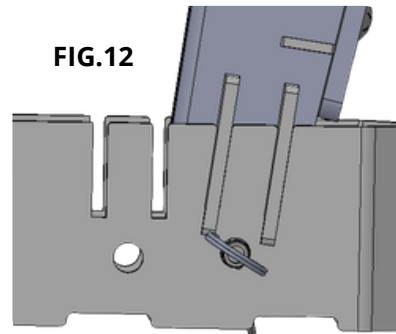


FIG. 12

10 deg Angled Forward

- Option 2:
 - Adjust using the Front Leg Quick Pin Adjustment. Before doing this, you should remove the center column as it is too heavy to adjust with it and the paddles installed. Remove the 1" Quick Pin, adjust the angle, and re-install the Quick Pin. There are 3 locating holes in the front base and 6 holes in the front foot; this gives you adjustment in intervals of 5 degrees each. Use the front foot and the adjustment holes to adjust the stand angle, as shown in FIG. 13

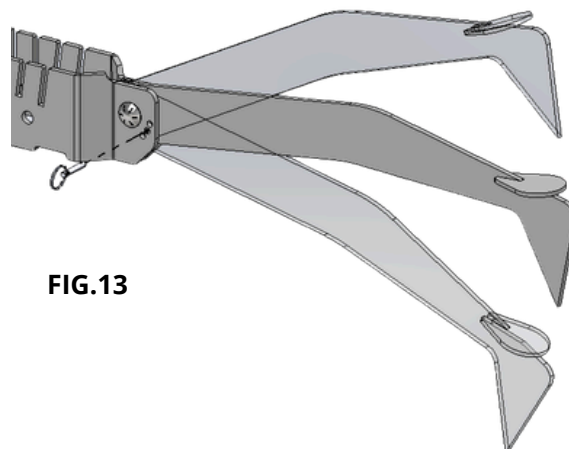


FIG. 13

RT-MM-002

Assembly Steps:

1. Assemble Stand Protector Plate, to Silhouette Mounting Bracket with 3/8" x 1-1/4" Carriage Bolts and 3/8" Nylon Nuts, as shown in Fig. 14. (2 pcs)
2. Place the 2x4 mount onto 2x4, and secure by tightening the wing bolt, securing the final location with the nut
 - a. Note: See Fig 15 for how the 2x4 should work with the clamping feet.
3. Once bracket is tightend to 2x4 secure wing bolt with jam nut.
4. Set the silhouette onto main support, secure with 1" quick pin, see Fig. 16
5. Follow steps 10 & 11 from RT-MM-001 for mounting of paddles to silhouette.

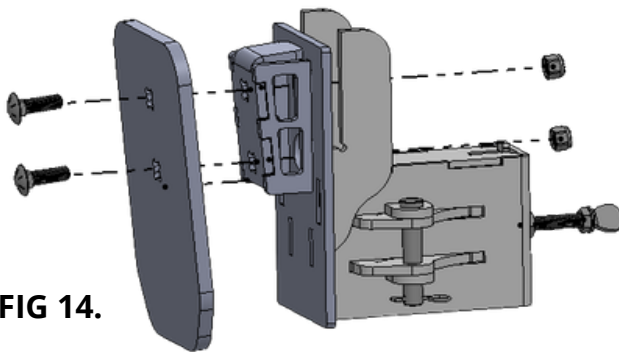


FIG 14.

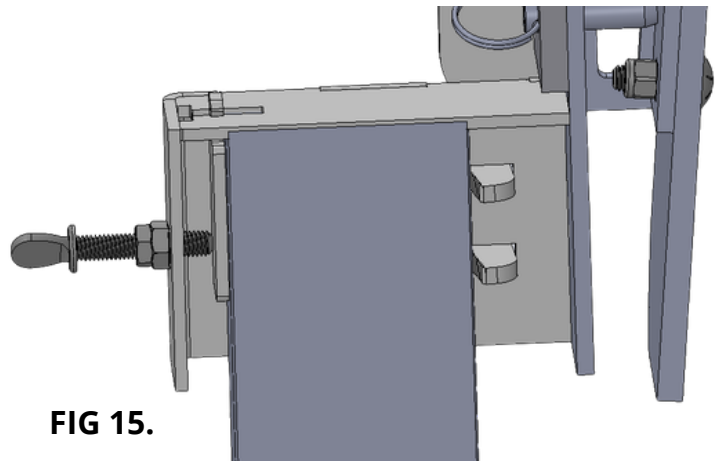


FIG 15.

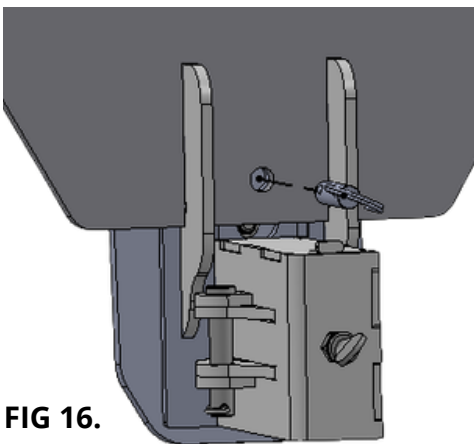
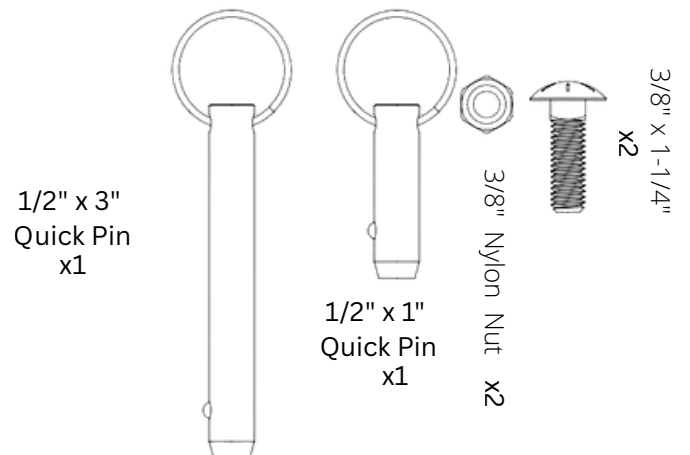


FIG 16.

RT-MM-002 Hardware Kit



RT-MM-003

Assembly Steps:

1. Insert the 3 Legs into the Base and secure them with the 4" quick pins as Shown in Fig. 17
2. Slide the 2x4 adapter mount into the center of the base and secure them with the 4" quick pins, as shown in Fig. 18
3. Note: This can be placed in forward slot, middle slot, or back slot, allowing for angle adjustment of the target.
4. Place the 2x4 (cut to your desired length) into the adapter mount/base. Secure by tightening
5. Follow steps 1-6 from RT-MM-002 to finish mounting hanger and Silhouette.

